

ALUMINUMLUX

**BIOKLIMATİK
ROLLING ROOF**
PERGOLA SYSTEMS



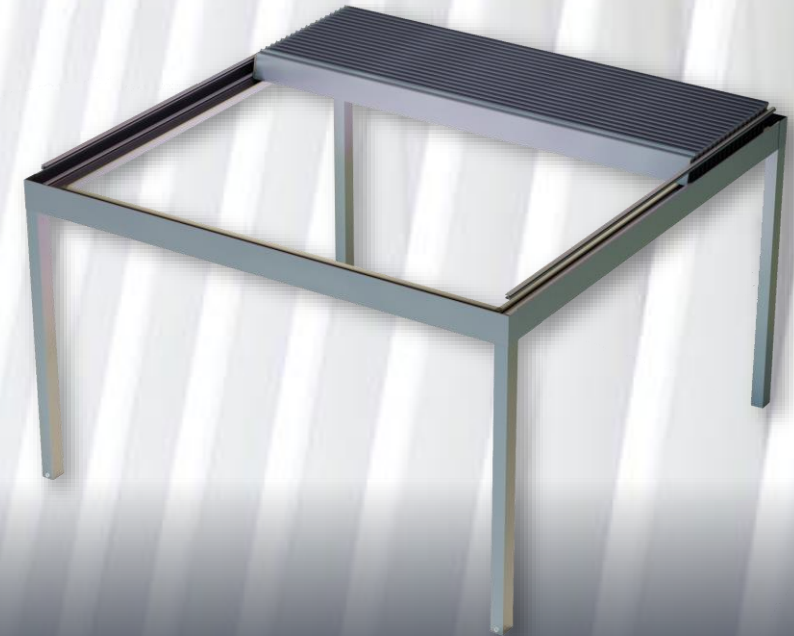
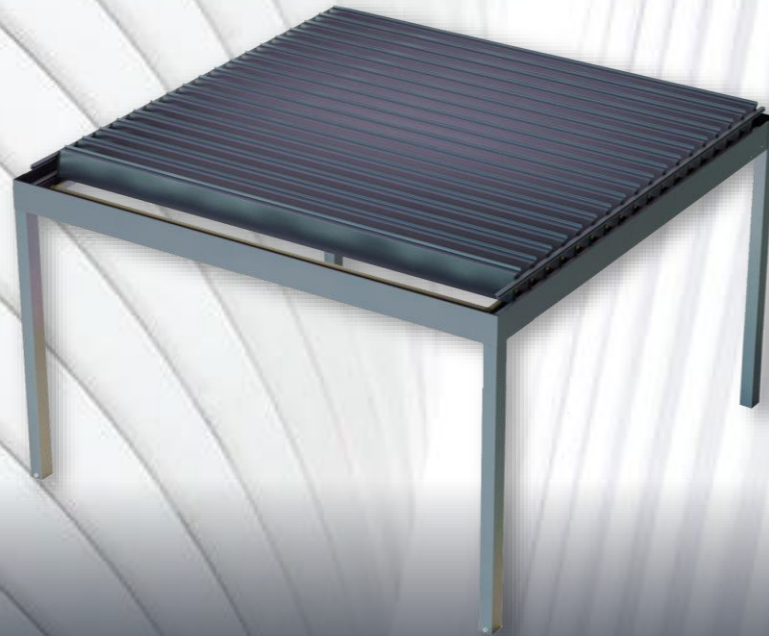
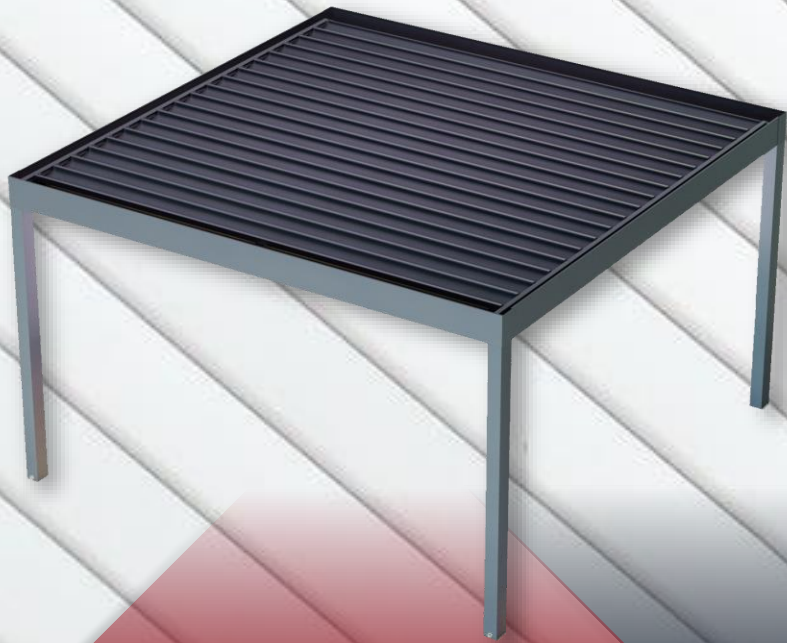
AluminumLux

www.aluminumlux.com

FUNCTIONS



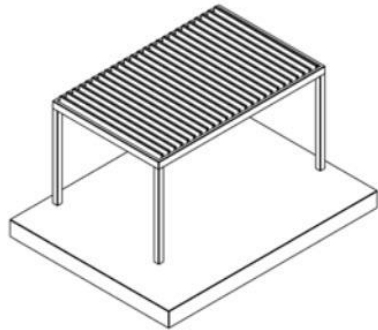
The panels of **BIOClimATIC ROLLING ROOF** with a profile thickness of 2.3 mm first rotate around their own axis, providing the users with ventilation, benefiting from the sunlight at the desired rate or shading. All panels that rotate around their own axis are collected backwards to form a fully open ceiling area.



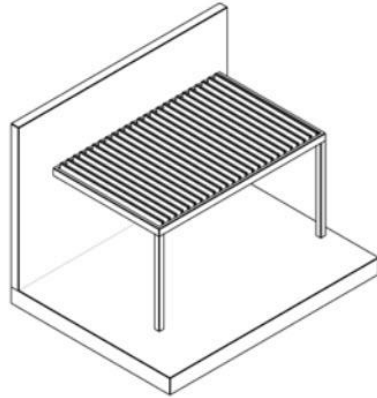
INSTALLATION TYPES



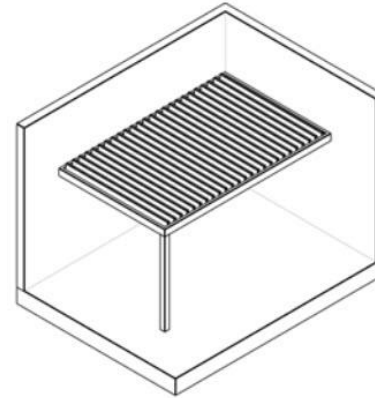
1 SELF STANDING SINGLE MODULE



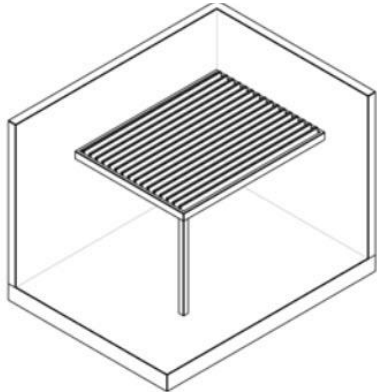
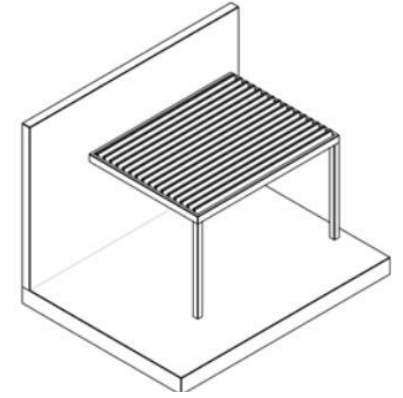
2 WALL MOUNTED SINGLE MODULE (BLADES PERPENDIKULAR TO WALL)



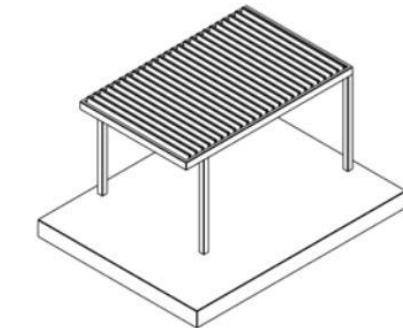
3 WALL-MOUNTED ON TWO SIDES (BLADES PERPENDİKULAR TO WALL)



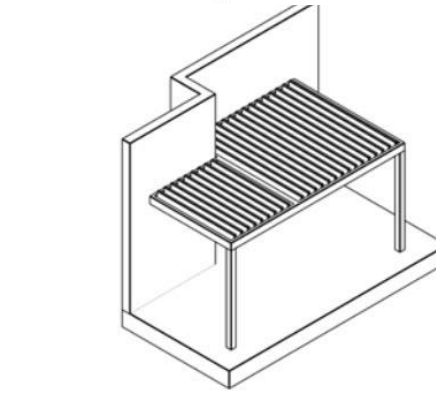
4 WALL MOUNTED SINGLE MODULE (BLADES PARALLEL TO WALL)



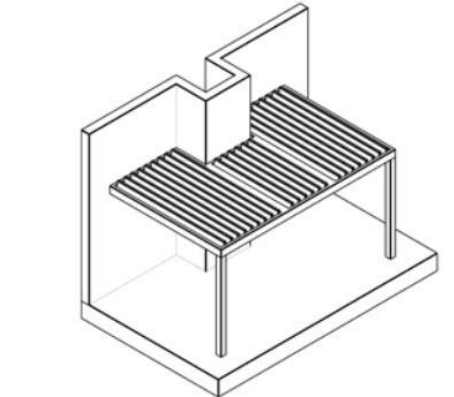
5 WALL-MOUNTED ON TWO SIDES (BLADES PARALLEL TO WALL)



6 SELF STANDING SINGLE MODULE (COLUMNS OFF-CENTER)

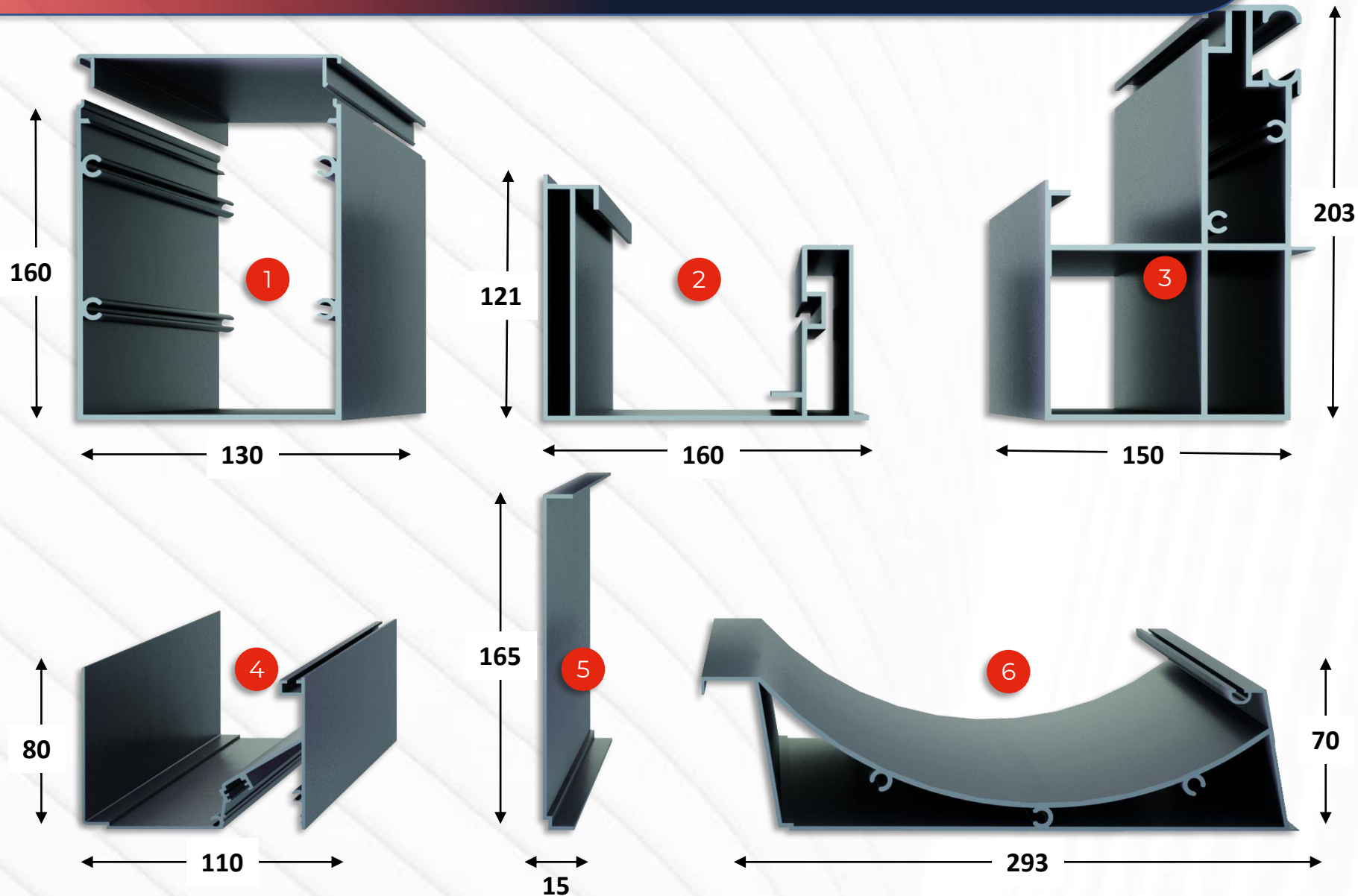


7 WALL MOUNTED SINGLE MODULE (BLADES PERPENDİKULAR TO WALL)



8 WALL MOUNTED SINGLE MODULE (BLADES PARALLEL TO WALL)

TECNICAL DATA



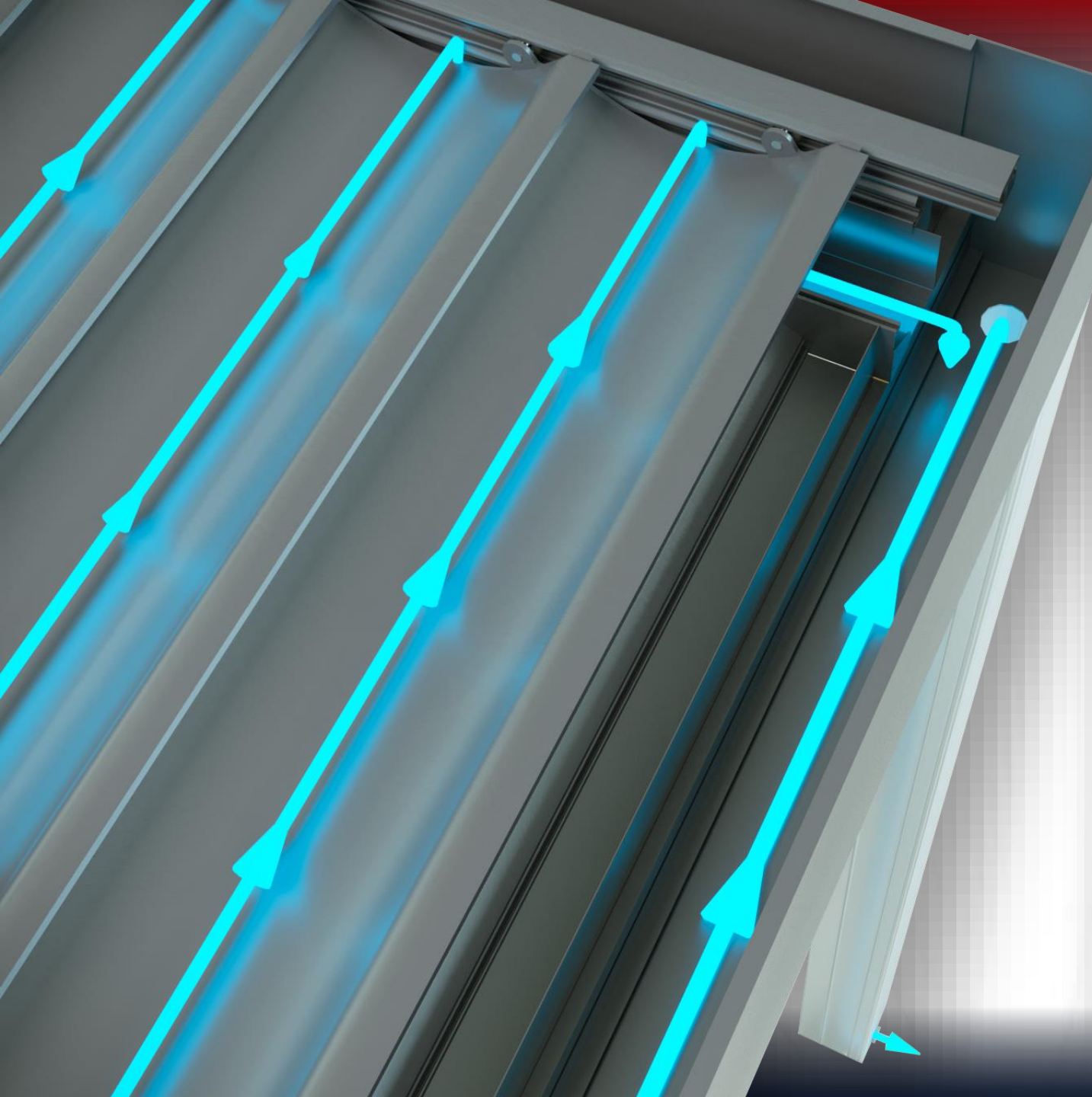
- 1 COLUMN
- 2 LARGE GLUTTER
- 3 RAILS
- 4 SMALL GLUTTER
- 5 GLUTTER CAP
- 6 LOUVER

LIGHTNING OPTIONS

The system has **Dimmer Integrated Strip Led** and **RGB Led Lighting** options. With the Dimmer Integrated Led Strip Lighting option, the light intensity can be adjusted according to demand, the endless color transformation in the RGB Led Lighting option gives the environment an aesthetic appearance.

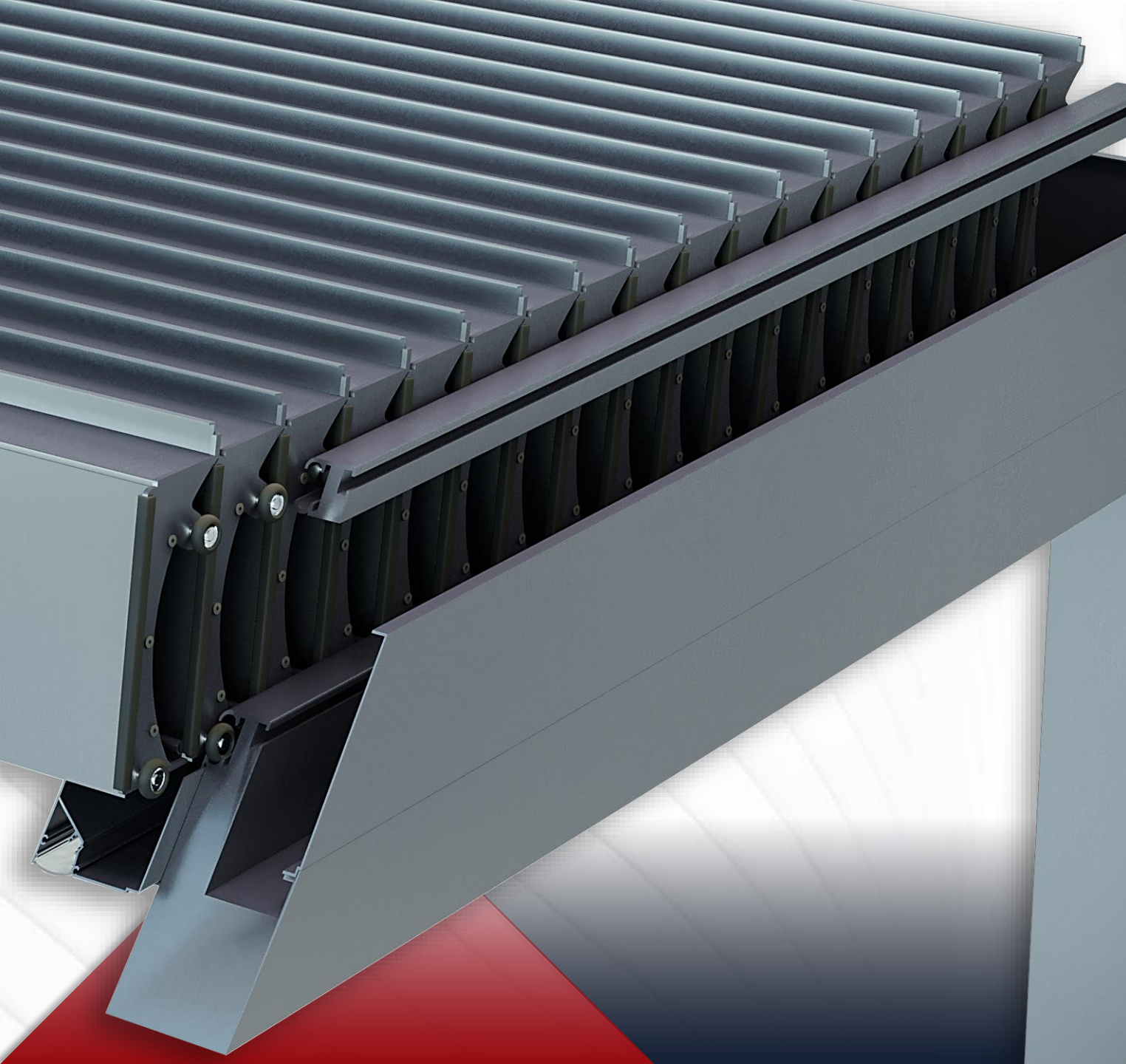


WATER EJECTION



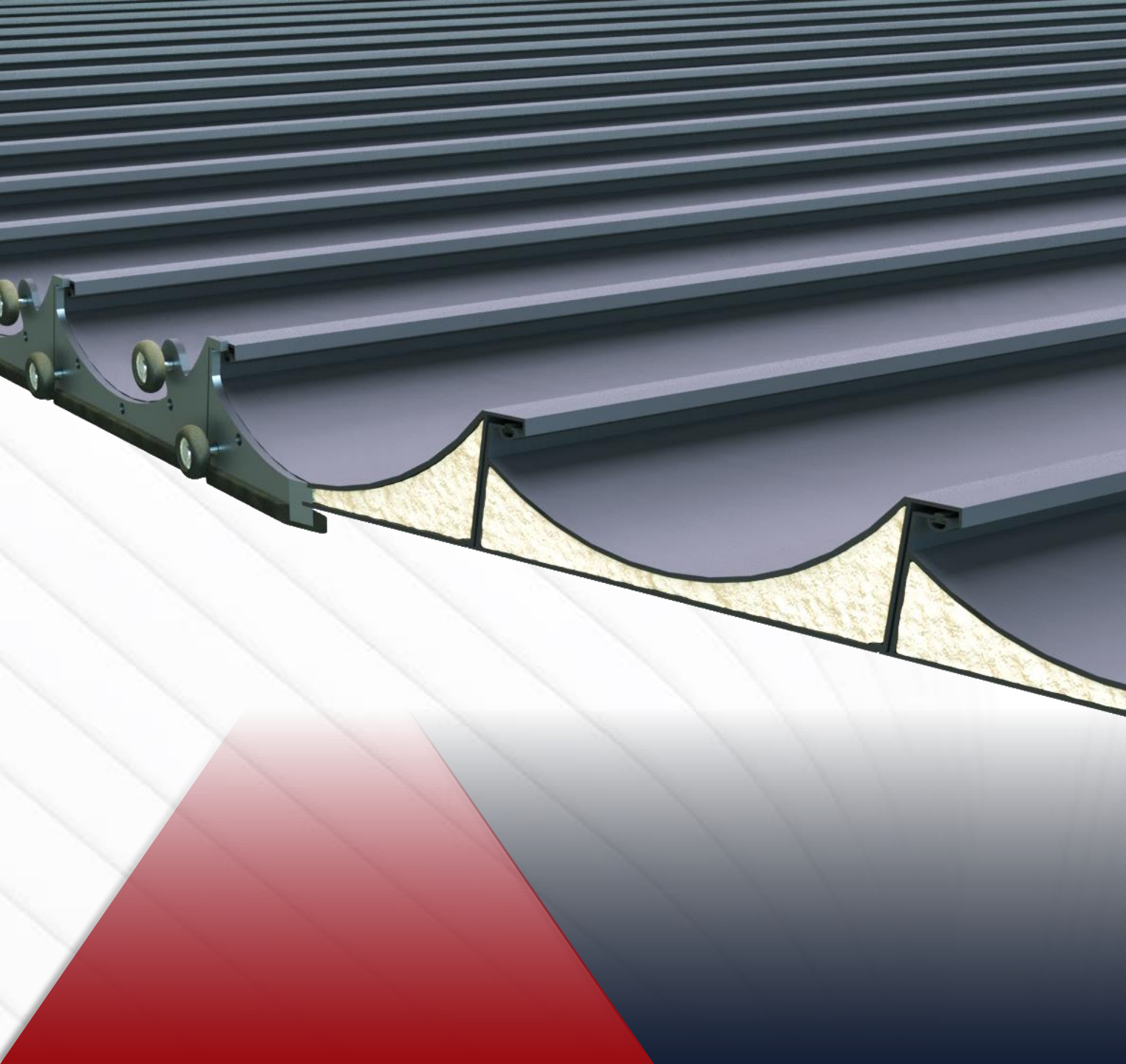
Water is discharged through the double (**SMALL** and **BIG**) rain gutters which integrated around the system.





TECHNICAL SPECIFICATIONS

- The louvers firstly tilt 110° by two both side motors
- The louvers secondly move to back by main motor
- System may use only tilt too
- System is possible to install (0° slopy or 5% slopy)
- Maximum width 7500 mm
- Maximum projection 9000 mm
- It has to be use beam bigger than 4000 mm width
- Maximum m^2 45
- Foam is possible to insert in louver



TECHNICAL SPECIFICATIONS


- All accessories are galvanized and electrostatic oven painted
- Movable roof cover is Aluminum
- The opening-closing movement of the ceiling cover is provided by the remote control
- The wicks to be used in the system will be EPDM



AluminumLux



OUR CONTACT

 1773 780 - 9556

 info@aluminumlux.com

 www.aluminumlux.com

 7051 W Addison St. Chicago, IL 60634